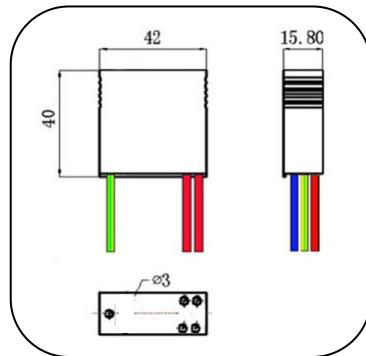


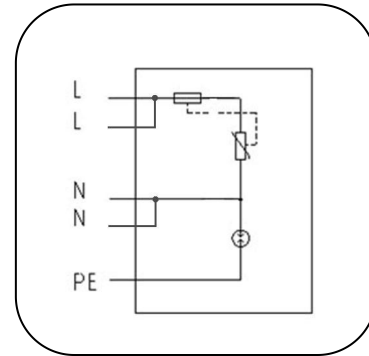
POWER SUPPLY SYSTEM

SURGE ARRESTERS FOR LED STREET LIGHT

WS(V+T)/...-10S



Dimension drawing



Basic circuit diagram

PROSURGE made low voltage surge protector WS(V+T)/...-10S is a compact surge protection device (SPD) especially for outdoor LED light and LED street light lightning & surge protection. “1+1” protection circuit enables it used universally in worldwide, no leakage current to ground (or protective conductor) to avoid malfunction of upstream residual current protection device.

- Surge arrester comply with IEC 61643-11 and UL 1449 4th.
- Designed to protect single phase LED light applications or other electrical and electronic facility.
- Fail-safe protection to prevent a hazard to the light or facility due to end-of-life of internal component or extreme failure conditions which may caused by abnormal line voltage fluctuation etc.
- **Max Discharge Current** up to 10kA 8/20 us and **Open Circuit Voltage** Uoc to 10kV.
- Offering full mode protection to L-PE, L-N, N-PE.
- IP65 waterproof enclosure.

Type		WS(V+T)/xxx-10S		
		180	320	385
In accordance with		IEC61643-11:2011; UL1449 4th		
Category IEC/VDE/UL		II+III/C+ D/ Type 4 CA		
Connection Type		Series connection		
Thermal disconnector		internal		
Power system (single phase)		110V~127V	230V-277V	
Max. continuous operating voltage	Uc (AC/DC)	180 /230	320 /420	385 /505
Mode of Protection		Full mode protection		
Nominal discharge current(8/20) In		5kA		
Max. discharge current(8/20) Imax		10kA		
Open circuit voltage Uoc		10kV		
Voltage protection level	Up(L-N)	<0.9kV	<1.4kV	<1.6kV
	VPR(L-N)	<0.7kV	<1.0kV	<1.2kV
	Up(N-PE)	<1.2kV	<1.5kV	<1.8kV
Response time	L-N	≤25 ns		
	N-PE	≤100 ns		
Follow current		No		
Backup fuse(only required if not already provided in)		32A gL/gG		
Operating temperature range		- 40°C ~ + 70°C		
connection wire		16AWG(L=red; N=blue; PE=y/g)		
Enclosure material		thermoplastic; extinguishing degree UL94 V-0		
Degree of protection		IP65 (Waterproof)		
Dimension		42*40*16mm		
Altitude		≤2000m		
Relative Humidity		≤95% Non Condensing		