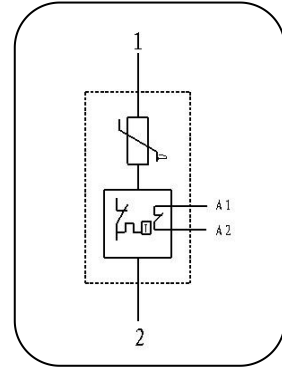
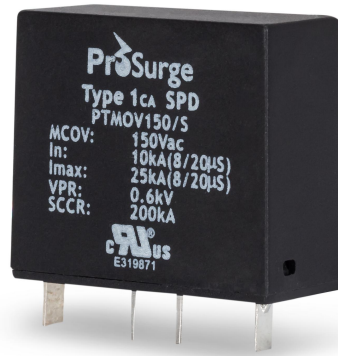
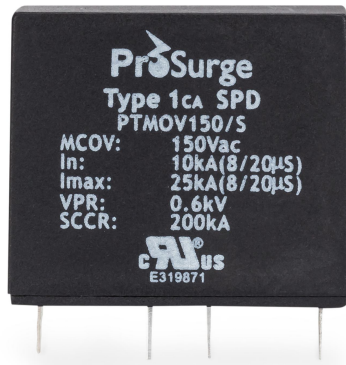


MODULAR THERMALLY PROTECTED MOV

PTMOV



Circuit diagram

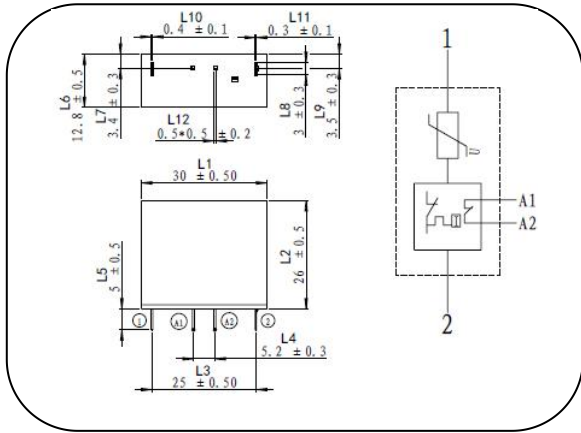
UL1449 4th T1CA surge suppressor with thermal protection designed to open in the event of overheating due to an abnormal over-voltage or temporary over voltage (TOV) and will interrupt any abnormal current that may be encountered.

- Compact size to save installation space
- UL1449 4th approved UL File No. E319871
- Quick thermal response and perfect circuit cutoff function due to special thermal disconnect design with internal arc extinguishing device(Patent)
- Wide operating temperature range and high reliability
- Low leakage current
- Floating remote signaling contact (50mA, 12Vdc) for fault indication
- Application in the AC mains, service entrance, and heavy industrial etc
- SCCR up to 200kArms without external fuse or CB

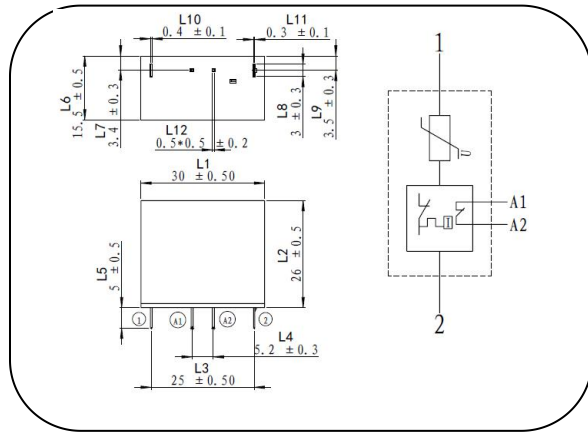
Type	PTMOVxxx/S					
	150	180	320	420	550	690
In accordance with	UL1449 4 th					
Thermal Disconnecter Patent	internal thermal disconnecter & arc extinguishing					
Max. continuous operating voltage (AC/DC)	150 /200	180 /230	320 /410	420 /560	550 /745	690 /910
Nominal discharge current(8/20) In x 15 times	10kA					
Max. discharge current(8/20) Imax x 1 time	25kA					
Voltage protection level VPR	<0.6kV	<0.7kV	<1.0kV	<1.5kV	<1.8kV	<2.2kV
Response time	≤25 ns					
Operating temperature range	- 40°C ~ + 75°C					
Enclosure material	thermoplastic; extinguishing degree UL94 V-0					
Insulation Resistance	≥10 MOhm					
Electric Strength	≥2500V (AC)					
Remote alarm contact	switching isolation					
SCCR	200kA					
Approvals, Certifications	UL1449 4 th E319871, CE					

Dimension: (The Unit is mm)

PTMOVxxx/S (MCOV 150~420Vac)

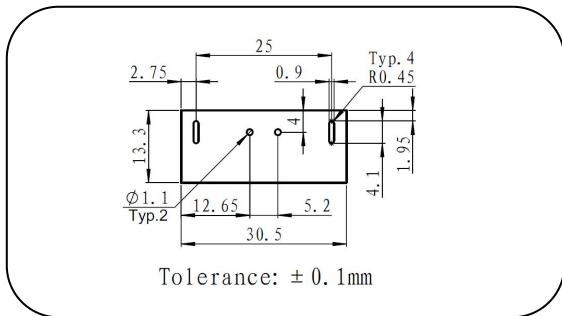


PTMOVxxx/S (MCOV 550~690Vac)



PCB Layout Dimensions: (The Unit is mm)

PTMOVxxx/S (MCOV 150~420Vac)



PTMOVxxx/S (MCOV 550~690Vac)

