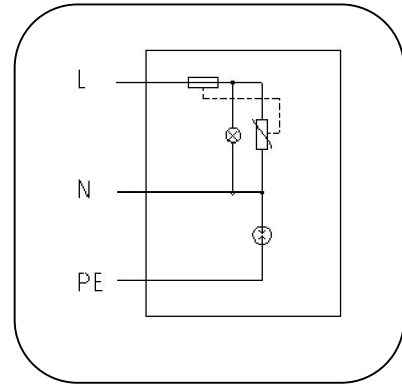


Dimension drawing



Basic circuit diagram

Type 3 surge protector is a compact surge protection device (SPD) especially for LED lightning surge protection at the boundaries from lightning protection zone 2-3 and higher.

- Ø Surge arrester comply with IEC 61643-11 and UL 1449-4th
- Ø Designed to protect single phase LED lighting applications.
- Ø Class SPD, Type 4 application with max discharge current 10kA per mode
- Ø Offering full mode protection to L-PE, L-N, N-PE
- Ø IP65 waterproof enclosure
- Ø With LED status indication

Part No.	WS(V+T)/180-10	WS(V+T)/320-10	WS(V+T)/385-10	
In accordance with	IEC61643-11:2011; UL1449-4th			
Category IEC/VDE/UL	/ D/ Type 4 CSA			
Thermal disconnecter	internal			
Power system	120V single phase	230V-277V single phase		
Max. continuous operating voltage Uc VAC/VDC	180/230	320/420	385/505	
Mode of Protection	Full mode protection			
Nominal discharge current(8/20) In	5kA			
Max. discharge current(8/20) I _{max}	10kA			
Open circuit voltage U _{oc}	10kV			
Voltage protection level	U _p (L-N)	<0.9kV	<1.4kV	<1.6kV
	V _{PR} (L-N)	<0.7kV	<1.0kV	<1.2kV
	U _p (N-PE)	<1.2kV	<1.5kV	<1.5kV
Response time	L-N	25 ns		
	N-PE	100 ns		
Follow current	No			
Backup fuse(only required if not already provided in mains)	32A gL/gG			
Protect Status Indication	Normal= Blue LED ON ; Failure: Blue LED Off			
Operating temperature range	- 40°C ~ + 70°C			
connection wire	16AWG(L=red; N=blue; PE=y/g)			
Enclosure material	thermoplastic; extinguishing degree UL94 V-0			
Degree of protection	IP65 (Waterproof)			
Dimension	42*40*16mm			
Altitude	2000m			
Relative Humidity	95% Non Condensing			